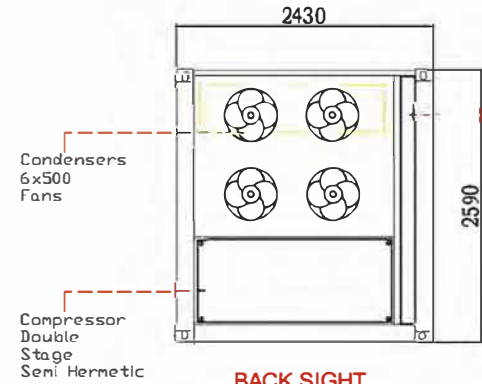
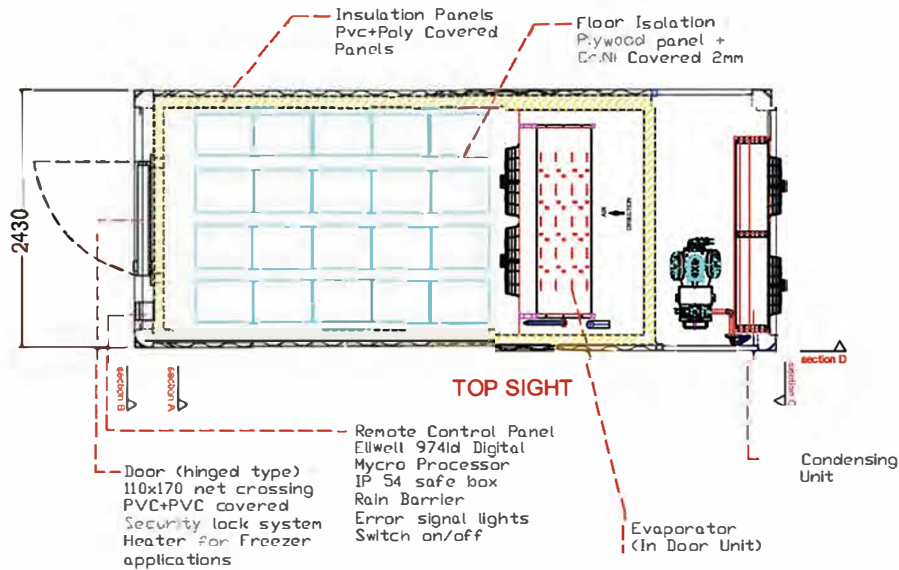


LEFT SIGHT SECTION D-D-

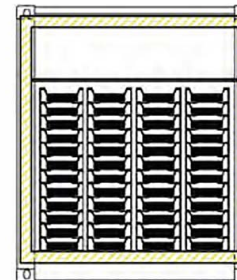


BACK SIGHT SECTION C-C-

- | Main Electric Board
- | Switches and thermics and relays.
- | Over load protection.
- | Schneider and equivalent. Phase Protection Relay
- | And pressure equipments



TOP SIGHT



FRONT SIGHT SECTION A-A-



FRONT SIGHT SECTION B-B-

- | Remote Control Panel
- | Elwell 974id Digital Micro Processor
- | IP 54 safe box
- | Rain Barrier
- | Error signal lights
- | Switch on/off
- | Door (hinged type)
- | 110x180 net crossing
- | White, poly+poly covered
- | Security lock system
- | Heater for Freezer applications

FILE :	Date :		Sign :	Rev :
SCALE :	Etud :	Güray ÜRKMEZ		Rev :
	Drawn :	Güray ÜRKMEZ		Rev :
Drawing No :	Control :	Güray ÜRKMEZ		Rev :

**CONTAINER STORAGES
BLAST FREEZER**

