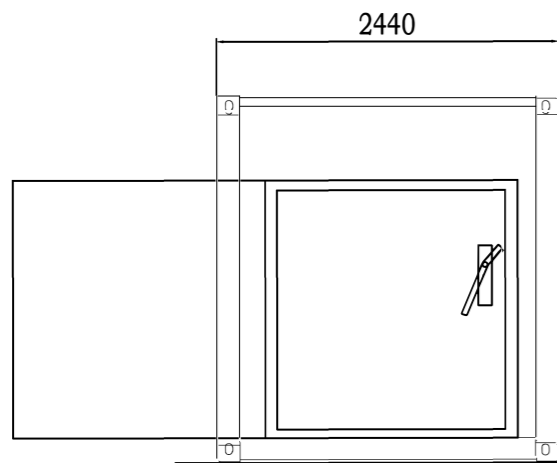
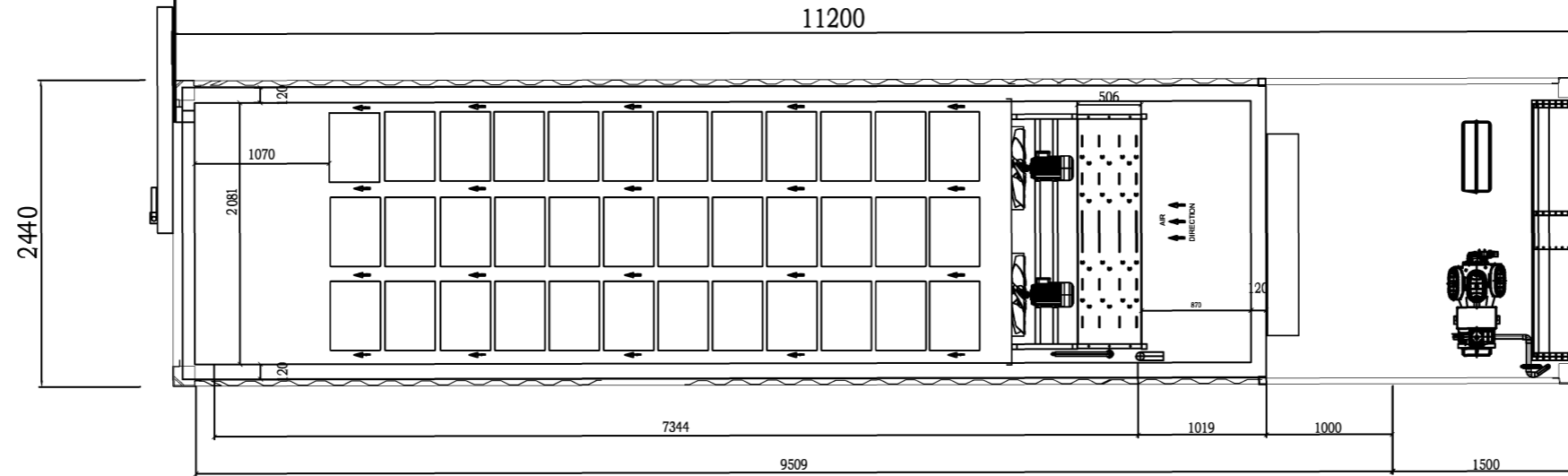
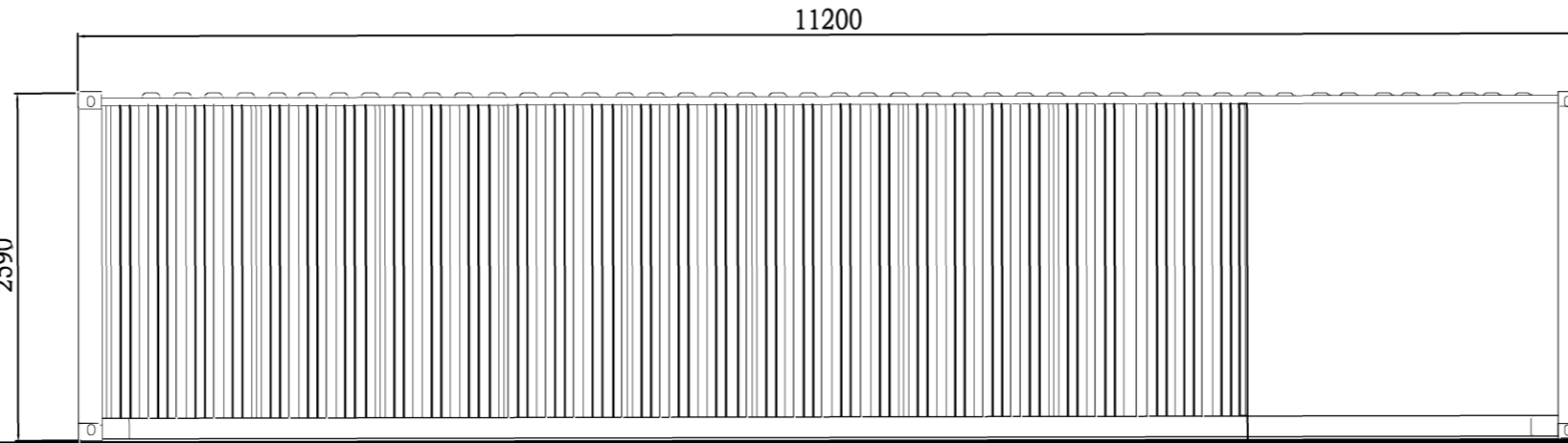


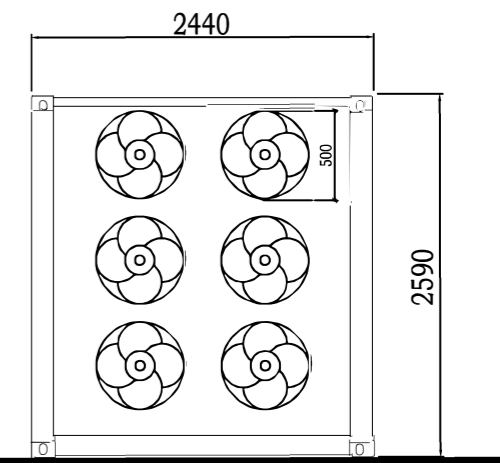
TOP SIDE VIEW (TRANSPARENT)



FRONT VIEW



LEFT SIDE VIEW



BACK VIEW

FILE :	Date :	Sign:	Rev:
SCALE :	Etud : Güray ÜRKMEZ		Rev :
Drawing No :	Drawn : Güray ÜRKMEZ		Rev :
	Control : Güray ÜRKMEZ		Rev :

**MOBILE
BLAST FREEZER**

